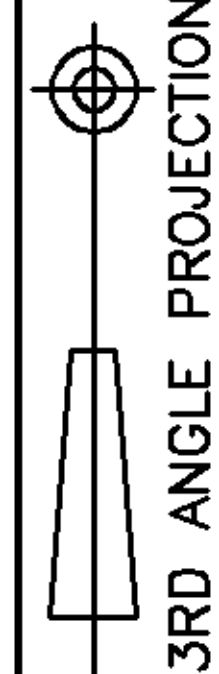


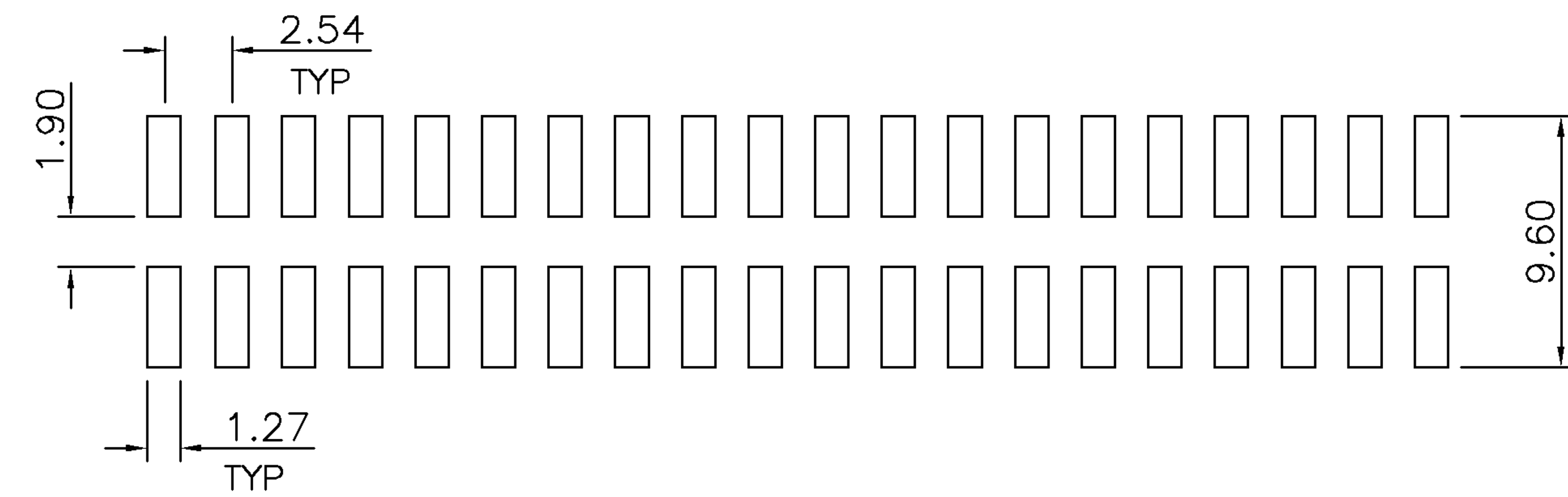
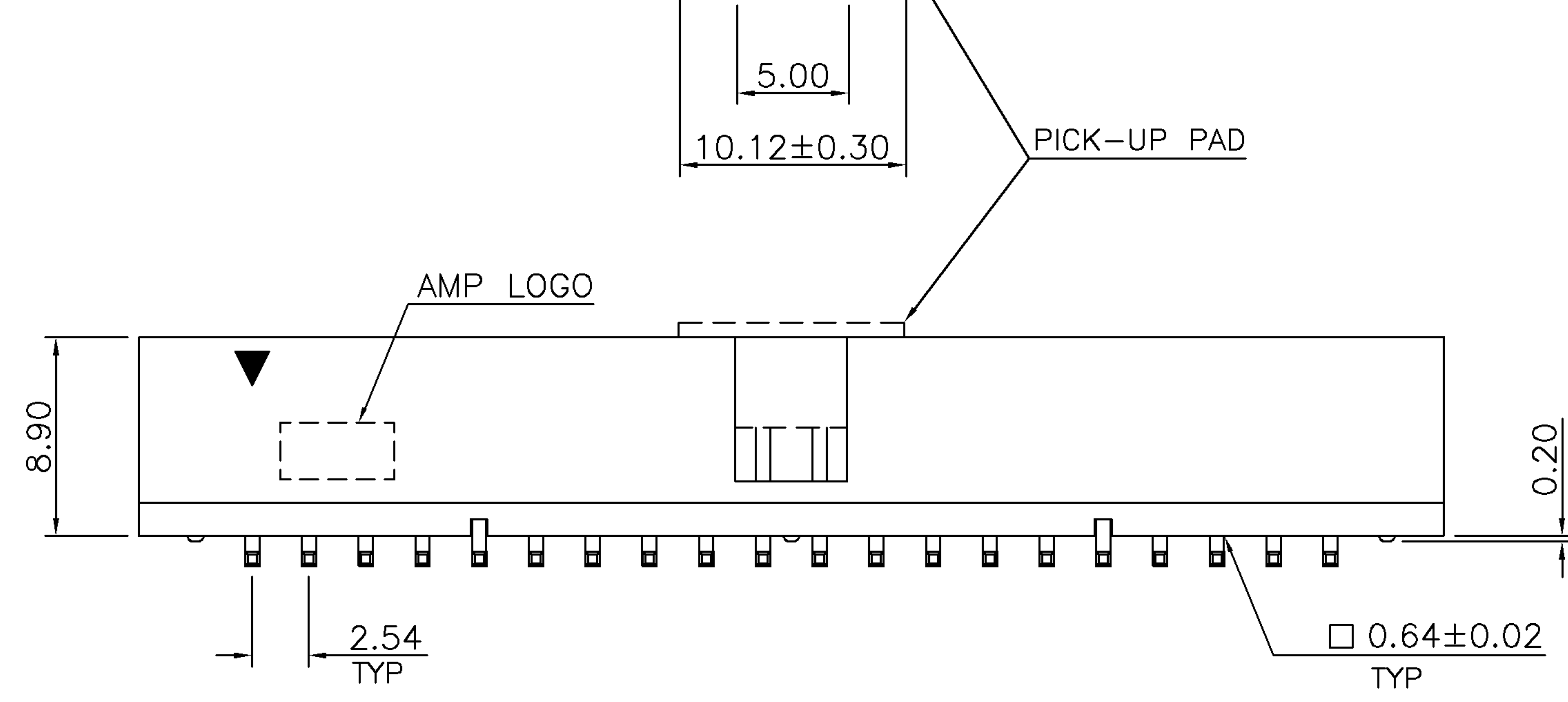
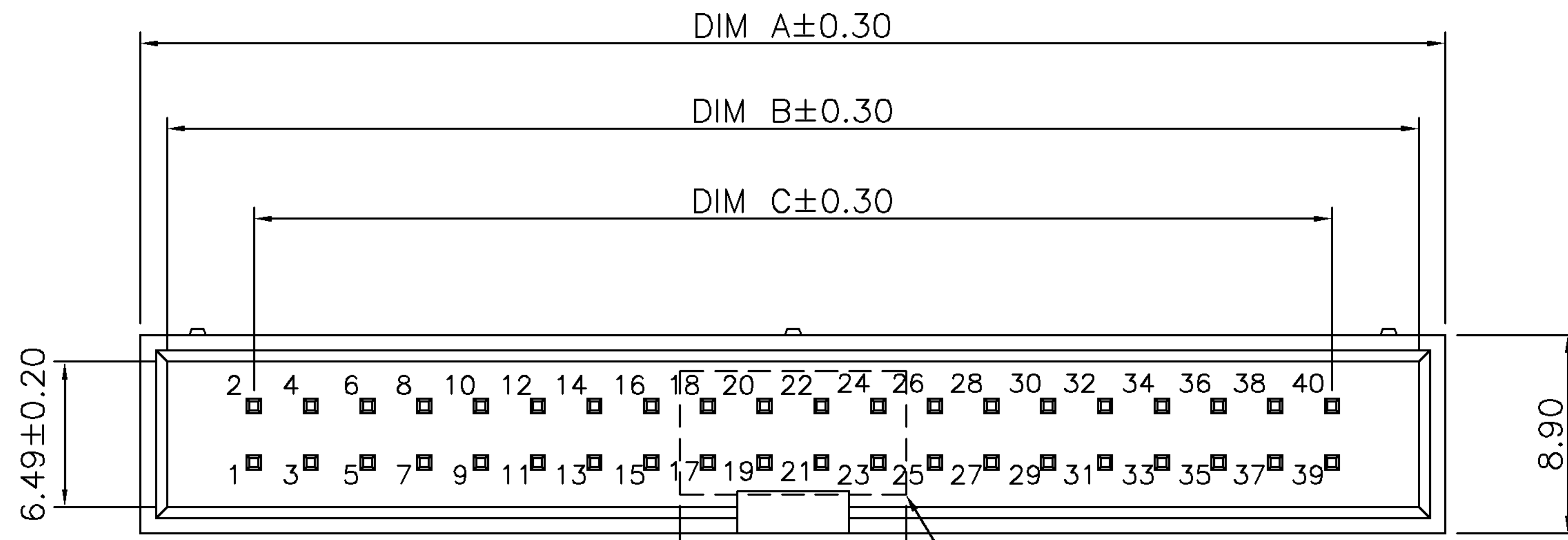
THIS INFORMATION IS CONFIDENTIAL AND IS DISCLOSED TO YOU ON CONDITION THAT NO FURTHER DISCLOSURE IS MADE BY YOU TO OTHER THAN AMP PERSONNEL WITHOUT WRITTEN AUTHORIZATION FROM AMP (TAIWAN) LTD. DIMENSIONS IN MILLIMETERS. DO NOT SCALE PRINT.

NUMBER
C-1734160



METRIC

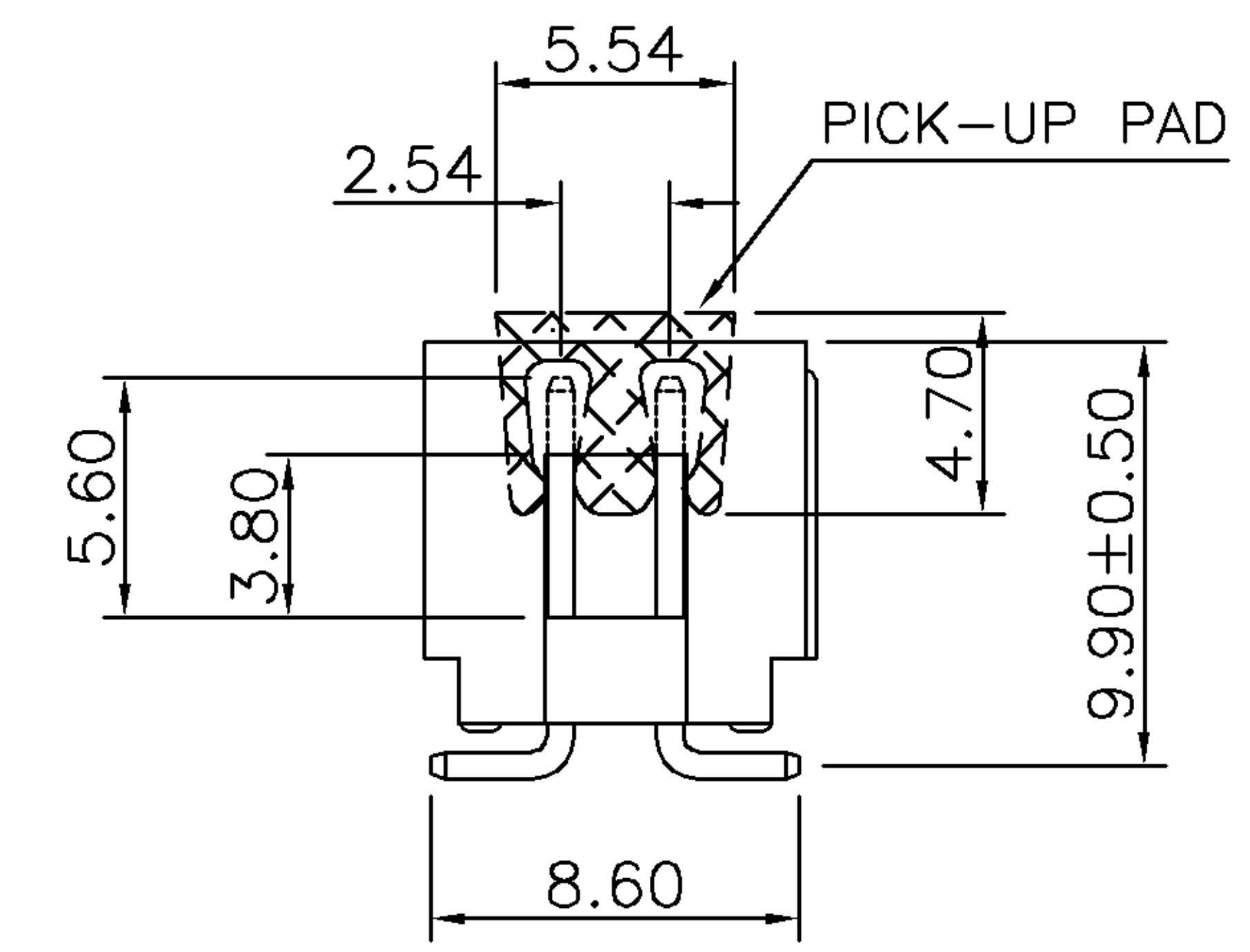
PRINT DIST
DW



RECOMMENDED P.C.B. LAYOUT

NOTES:

- MATERIAL:
HOUSING: THERMOPLASTIC HIGH TEMP., WITH 30% GLASS FIBER FILLED., UL 94V-0. COLOR: SEE TABLE.
CONTACT: BRASS, THICKNESS=0.64mm.
- FINISH :
CONTACT: GOLD FLASH OVER 40μ" MIN. NICKEL UNDERPLATING.
- REFLOW SOLDER CAPABLE TO 260°C PER TYCO SPEC109-201, CONDITION B.



#20	48.26	55.88	58.42	BLACK	40	3-1734160-4
X	48.26	55.88	58.42	BLUE	40	1-1734160-5
	48.26	55.88	58.42	BLACK	40	1-1734160-4
	48.26	48.26	50.80	BLACK	34	1-1734160-3
LACK PIN#	DIM C	DIM B	DIM A	HSG COLOR	POS.	PART NUMBER

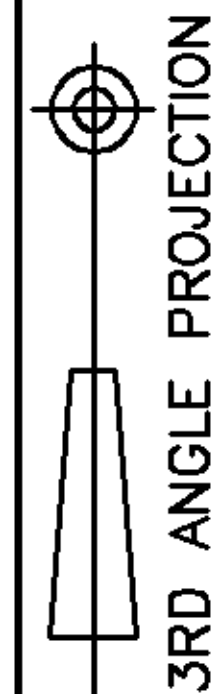
TOLERANCES UNLESS OTHERWISE SPECIFIED: 0 PLC ± 1 PLC ± 2 PLC ±0.3 3 PLC ± ANGLES ±		DWN O. HU 01-JUL-2005	TYCO HOLDINGS (BERMUDA) VII LTD. TAIWAN BRANCH			
MATERIAL SEE NOTE		CHK S. HOU 01-JUL-2005	NAME BOX HEADER 2R SMT, 2.54 PITCH, VERTICAL TYPE			
FINISH SEE NOTE		APVD W.J. KE 01-JUL-2005	PRODUCT SPEC 108-57101			
		QUALIFICATION TEST REPORT 501-57052	LOC DW	SIZE A ₃	DRAWING NO C-1734160	REV O
		WEIGHT	SCALE --		SHEET 1 OF 2	

o	FIRST RELEASED	OH SH	08JUL 2005
LTR	REVISION RECORD	ECN	DWN CHK DATE

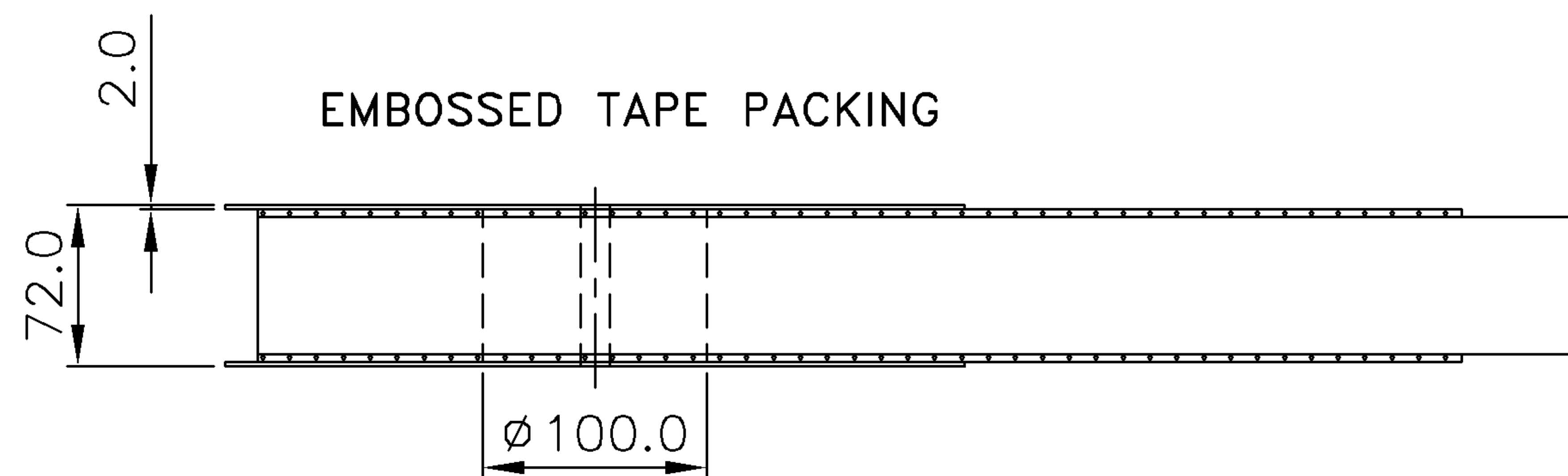
THIS INFORMATION IS CONFIDENTIAL AND IS DISCLOSED TO YOU ON CONDITION THAT NO FURTHER DISCLOSURE IS MADE BY YOU TO OTHER THAN AMP PERSONNEL WITHOUT WRITTEN AUTHORIZATION FROM AMP (TAIWAN) LTD. DIMENSIONS IN MILLIMETERS. DO NOT SCALE PRINT.

PRINT DIST
DW

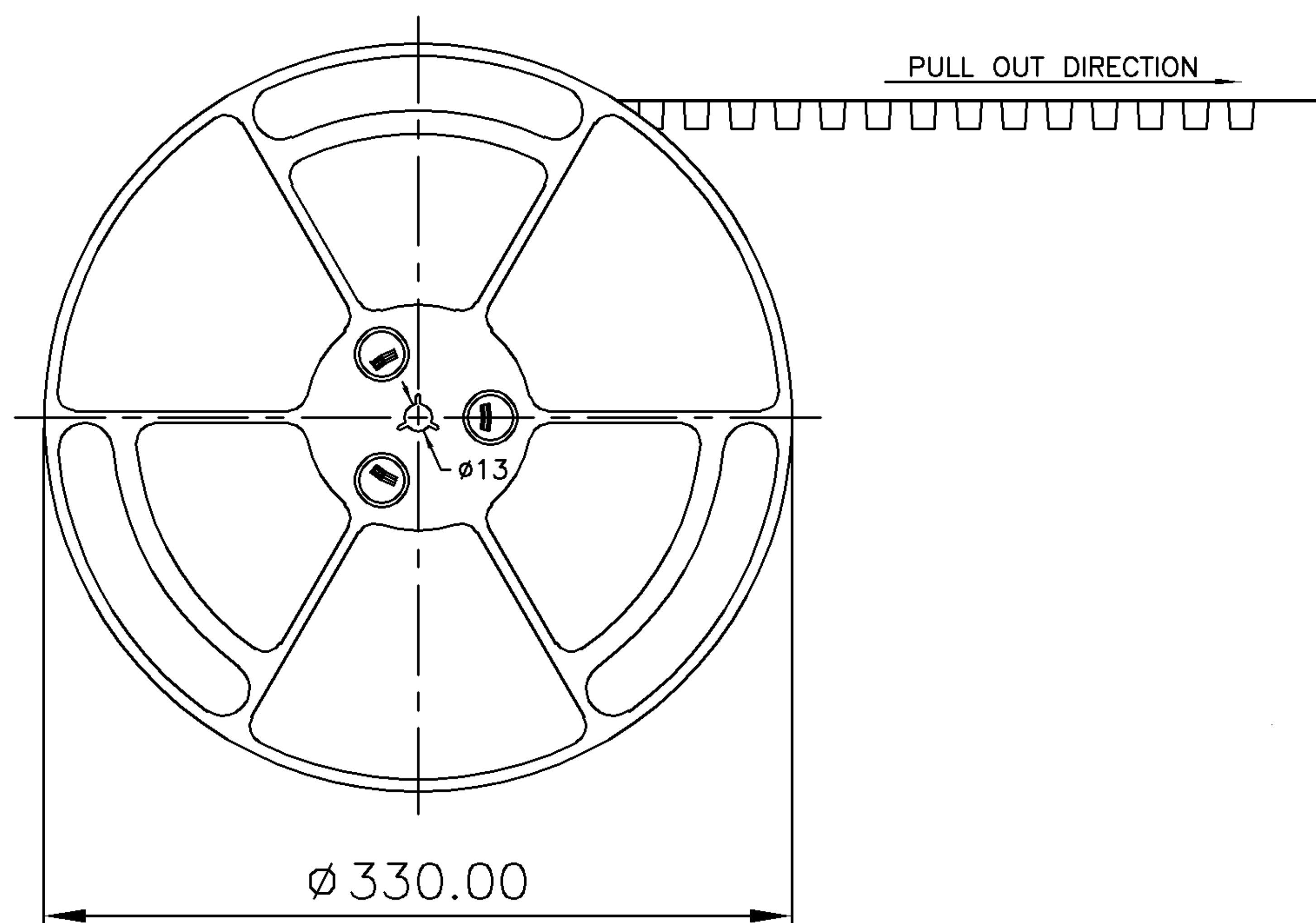
METRIC



NUMBER
C-1734160

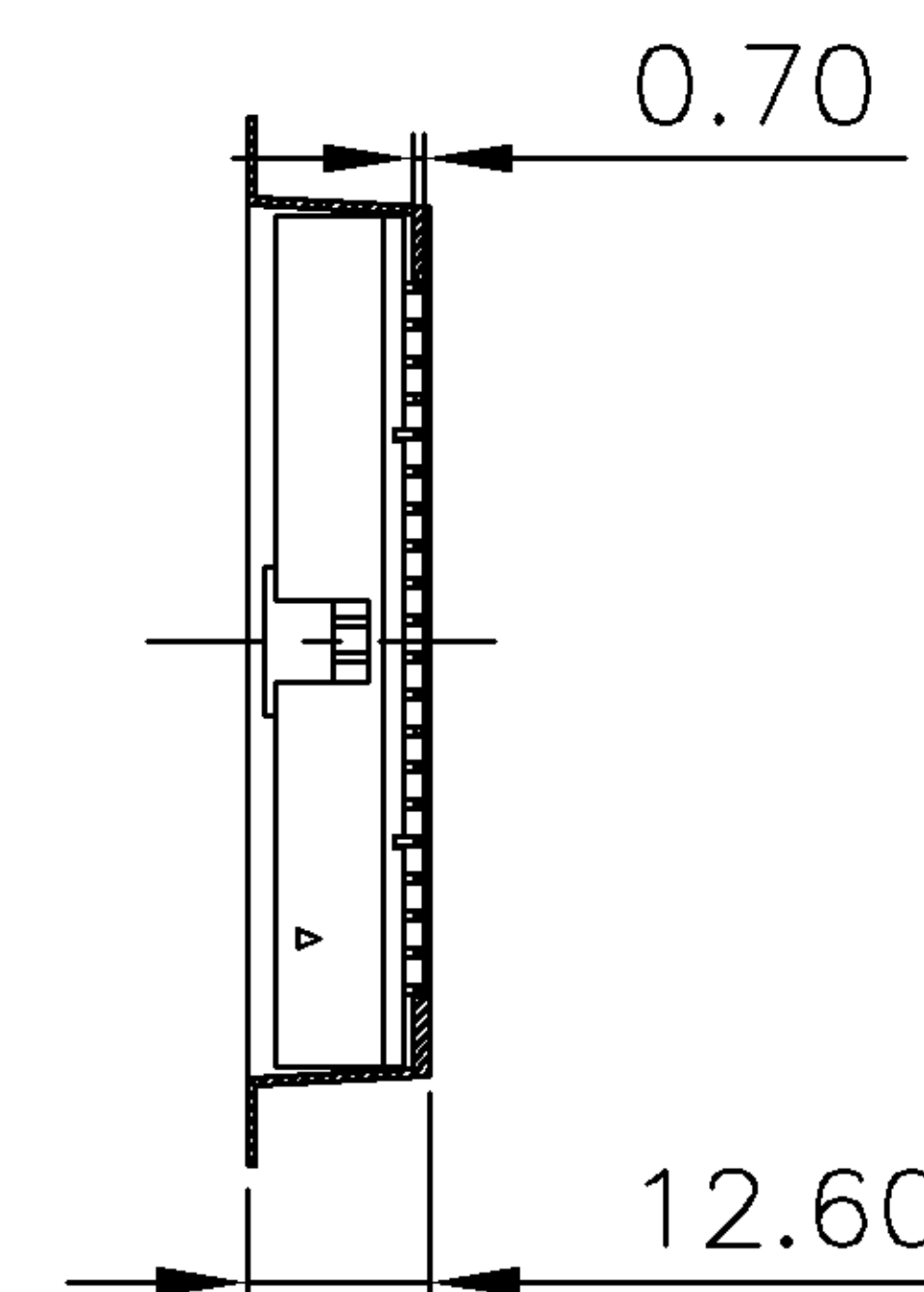
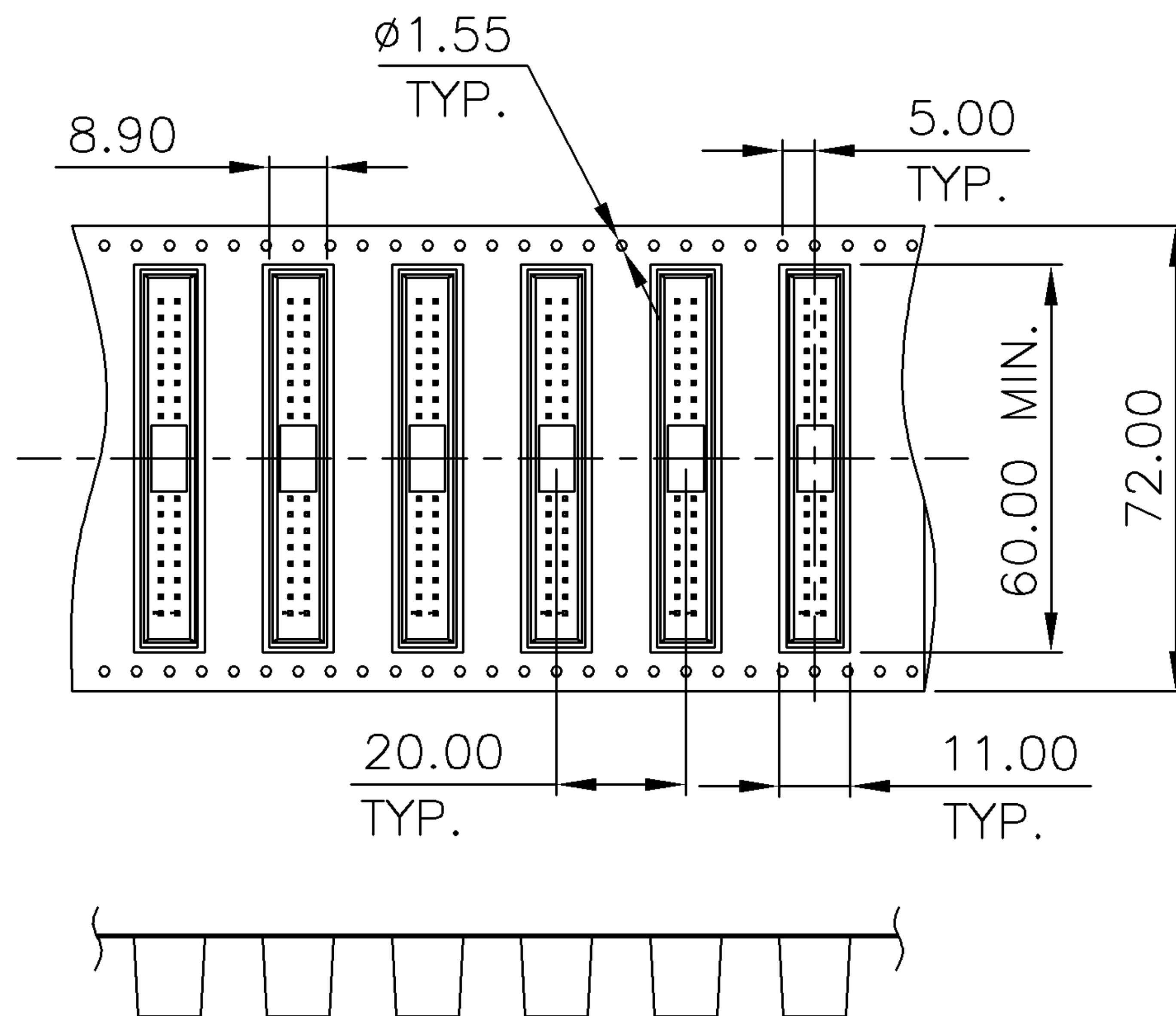


EMBOSSSED TAPE PACKING



NOTE:

1. 10 SPROCKET HOLE PITCH CUMULATIVE TOLERANCE: 0.2mm.
2. CARRIER CAMBER IS WITHIN 1.0mm IN 100mm.
3. MATRIAL: BLACK CONDUCTIVE POLYSTYRENE ALLOY 100% RECYCLABLE.
4. THICKNESS: 0.3±0.05mm.
5. TOTAL: 250 PCS.



LTR	SEE SHEET 1.	ECN	DWN	CHK	DATE
	REVISION RECORD				

TOLERANCES UNLESS OTHERWISE SPECIFIED:		DWN	O. HU	tyco TYCO HOLDINGS (BERMUDA) Electronics VII LTD. TAIWAN BRANCH
0 PLC ±			01-JUL-2005	
1 PLC ±		CHK	S. HOU	NAME
2 PLC ±			01-JUL-2005	
3 PLC ±		APVD	W.J. KE	BOX HEADER 2R SMT, 2.54 PITCH, VERTICAL TYPE
ANGLES ±			01-JUL-2005	
MATERIAL	SEE NOTE	PRODUCT SPEC	-	LOC SIZE DRAWING NO REV DW A ₃ C-1734160 O
FINISH	SEE NOTE	QUALIFICATION TEST REPORT	-	
		WEIGHT	-	SCALE SHEET -- 2 OF 2